

SL-PPREC03SWITCH

230V AC ON/OFF RECEIVER



PRODUCT FEATURES

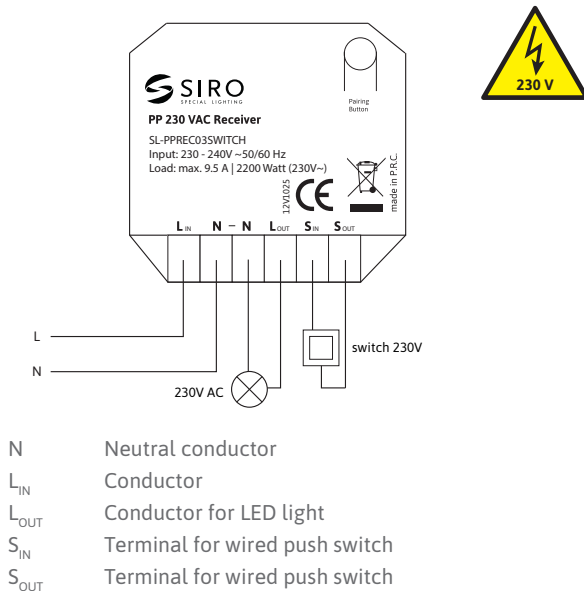
- ▶ 230V AC MONO ON - OFF receiver as receiver for PUSHPOWER switch
- ▶ Connection of 230V AC products with a maximum output of 2200 watts (~230V AC)
- ▶ Up to 10 switch buttons (1-, 2- or 4-way switches) can be connected
A total of up to ten different commands are possible.
- ▶ Radio-based range 30 meters
- ▶ Functions: ON - OFF
- ▶ Product has a memory function (last light setting)

ASSEMBLY

- ▶ In appliance box to DIN 49073, in the light fitting (ceiling lights), individual positioning.
- ▶ Installation may only be carried out by qualified electricians.

CONNECTION PLAN

(230V Voltage, ATTENTION RISK OF DEATH!)



DIMENSIONS

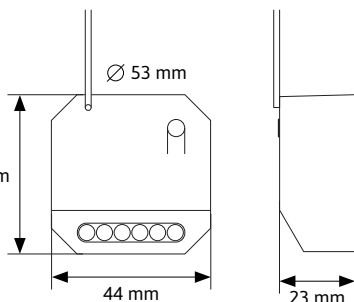
- ▶ dimension housing (LxTxH): 44 x 44 x 23 mm

TECHNICAL FEATURES

- ▶ Transfer protocol: RF 433 mhz
- ▶ Range: 30 meters (indoors)
- ▶ IP Rating: IP20
- ▶ Input voltage: 230 - 240V AC 50/60Hz
- ▶ Output power: 1 channel / 9.5 A
2200 watts (~ 230V AC)
- ▶ Standby Power: ≤ 1W
- ▶ Receiver Sensitivity: -110dBm
- ▶ Operating temperature: 0°C bis 40°C
- ▶ Connecting socket: 2.6 x 2 mm
- ▶ Cable cross-section: 2.5 mm² Rigid cable/solid conductor
1.5 mm² Stranded cable

SAFETY AND INSTALLATION INSTRUCTIONS

- ▶ **Attention, this product is operated with 230V AC voltage!**
- ▶ Installation may only be carried out by qualified electricians.
- ▶ This product is not a toy and is not suitable for children!
- ▶ The SIRO LED system is only suitable for indoor use.
- ▶ Unprotected outdoor use is not permitted.
- ▶ Contact with moisture must be avoided at all costs!



SL-PPREC03SWITCH

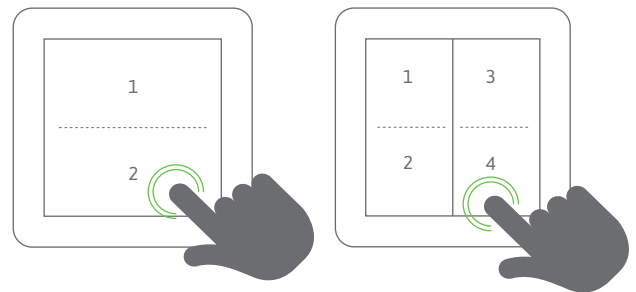
230V AC ON/OFF RECEIVER

Ideally combinable with the following SIRO PushPower products:

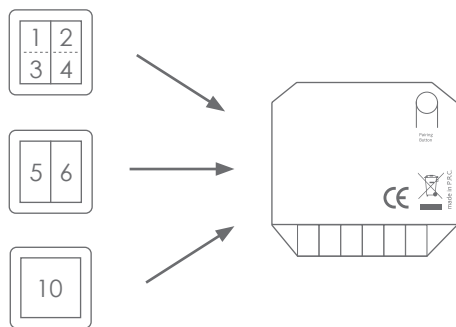
Switch: SL-PP55W2K1, SL-PP55W2K60, SL-PP55W4K1, SL-PP55W4K60, SL-PPA55W2K1, SL-PPA55W2K60, SL-PPA55W4K1, SL-PPA55W4K60, SL-PPI55W2K1, SL-PPI55W2K60, SL-PPI55W4K1, SL-PPI55W4K60, SL-PP40K1, SL-PP40K60, SL-PP40W2K1, SL-PP40W2K60, SL-PP62K1, SL-PP62K60, SL-PPDOOR01K1, SL-PPDOOR01K60, SL-PP86IPW2K1, SL-PP86IPW2K1

GENERAL FUNCTIONS

1, 2, 3, 4	2- or 4-way buttons
Single click:	Switching on or off
Single click on door sensor:	Switching on or off
Single click on 1-way button:	Switching on or off

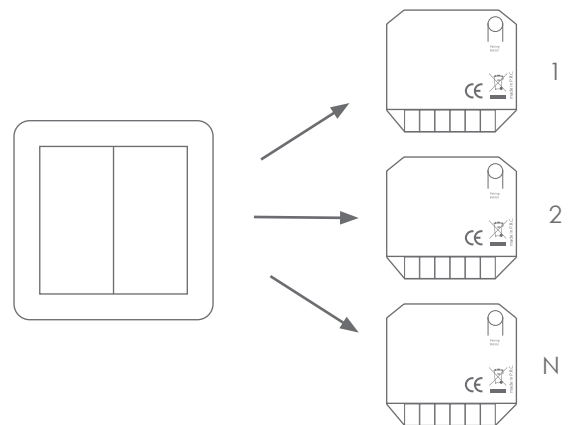


POSSIBLE COMBINATIONS



More controls on one receiver

a maximum of 10 PushPower buttons (sensors, push buttons, etc.) can be connected to one receiver. Every option counts.



One control on several receivers

1 PushPower control unit can control any number of receivers.

Radio range (depending on the local conditions)

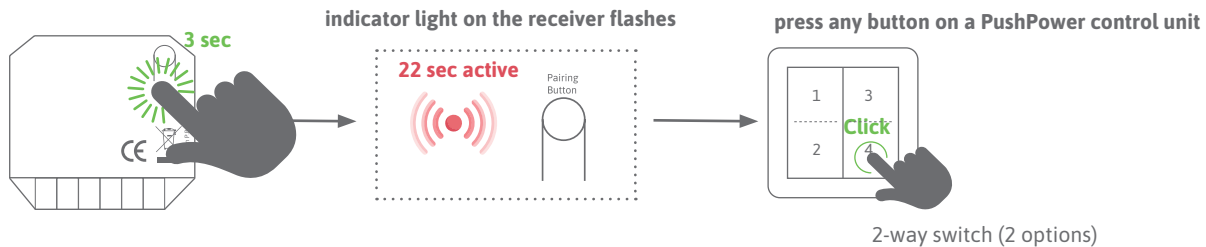
up to 30 m indoors and up to 80 m outdoors.



FUNCTIONS IN DETAIL

CONNECT (TEACH-IN) CONTROL UNIT (SWITCH) & RECEIVER

This is how you establish communication between the switch and your receiver:



press and hold for 3 seconds

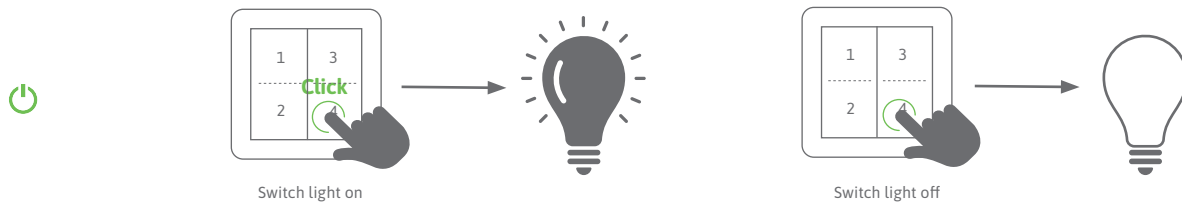
The activity mode remains active for 22 seconds, after which the teach-in process is canceled and the light switches off.

The learning process can be canceled by disconnecting the power.

Each button/option (1&2) can be assigned its own function/option. If it is not assigned, this is a space bar.

SINGLE CLICK - ON/OFF

A single click refers to a single, brief press of the light switch.

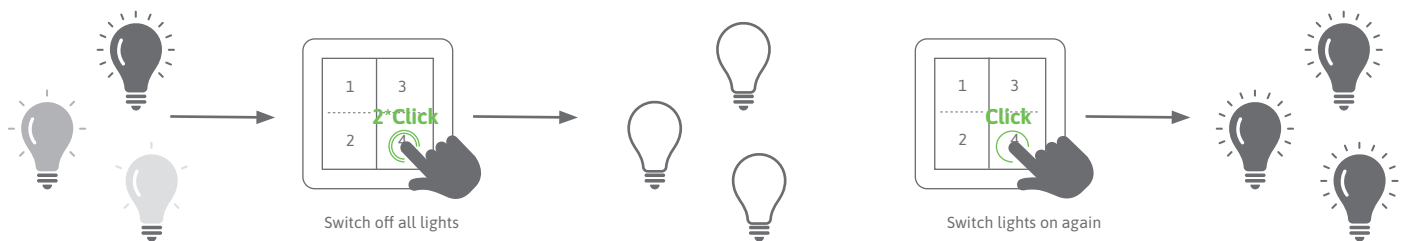


With SIRO light switches, a single click is used to switch the connected light source on or off.

This corresponds to the basic function of a switch, where a single click changes the status of the lighting.

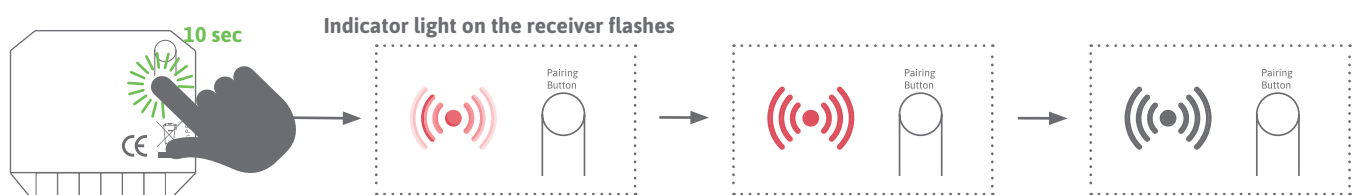
DOUBLE CLICK - SYNCHRONIZE

A double click refers to pressing the light switch twice in quick succession.



All lights are switched off. This function is used to synchronize several lights when they are running asynchronously.

RESETTING THE RECEIVER / FACTORY STATUS



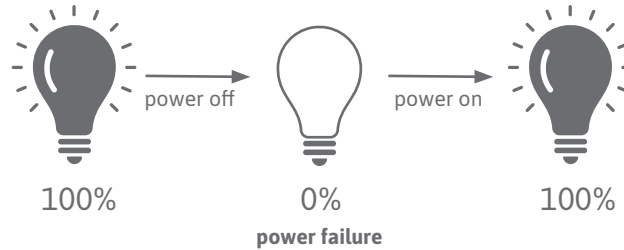
Press and hold for 10 seconds. All connections are now deleted and the receiver is ready for a new link.

MEMORY FUNCTION

The system always remembers the last setting of the lighting situation before switching off. (power failure)

Case 1:

Light turned on before the power failure



Case 2:

Light turned off before the power failure

