

SL-PPREC03SWITCH

230V AC ON/OFF RECEIVER



PRODUCT FEATURES

- ▶ 230V AC MONO ON - OFF receiver as receiver for PUSHPOWER switch
- ▶ Connection of 230V AC products with a maximum output of 2200 watts (~230V AC)
- ▶ Up to 10 switch buttons (1-, 2- or 4-way switches) can be connected
A total of up to ten different commands are possible.
- ▶ Radio-based range 30 meters
- ▶ Functions: ON - OFF
- ▶ Product has a memory function (last light setting)

ASSEMBLY

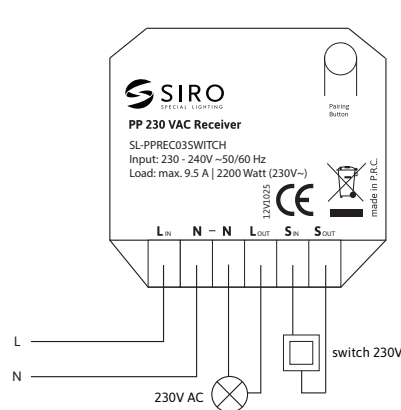
- ▶ In appliance box to DIN 49073, in the light fitting (ceiling lights), individual positioning.
- ▶ Installation may only be carried out by qualified electricians.

DIMENSIONS

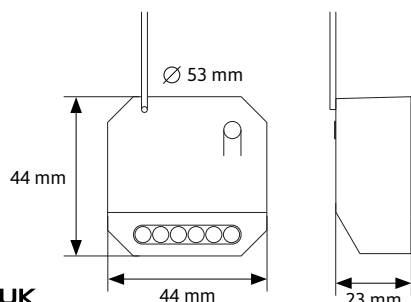
- ▶ dimension housing (LxTxH): 44 x 44 x 23 mm

CONNECTION PLAN

(230V Voltage, ATTENTION RISK OF DEATH!)



N	Neutral conductor
L _{IN}	Conductor
L _{OUT}	Conductor for LED light
S _{IN}	Terminal for wired push switch
S _{OUT}	Terminal for wired push switch



TECHNICAL FEATURES

- ▶ Transfer protocol: RF 433 mhz
- ▶ Range: 30 meters (indoors)
- ▶ IP Rating: IP20
- ▶ Input voltage: 230 - 240V AC 50/60Hz
- ▶ Output power: 1 channel / 9.5 A
2200 watts (~ 230V AC)
- ▶ Standby Power: ≤ 1W
- ▶ Receiver Sensitivity: -110dBm
- ▶ Operating temperature: 0°C bis 40°C
- ▶ Connecting socket: 2.6 x 2 mm
- ▶ Cable cross-section: 2.5 mm² Rigid cable/solid conductor
1.5 mm² Stranded cable

SAFETY AND INSTALLATION INSTRUCTIONS

- ▶ **Attention, this product is operated with 230V AC voltage!**
- ▶ Installation may only be carried out by qualified electricians.
- ▶ This product is not a toy and is not suitable for children!
- ▶ The SIRO LED system is only suitable for indoor use.
- ▶ Unprotected outdoor use is not permitted.
- ▶ Contact with moisture must be avoided at all costs!

