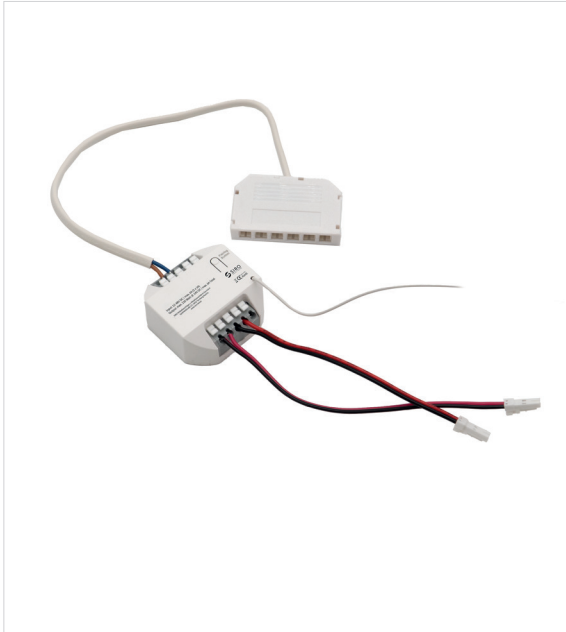


SL-PPREC01DUO2W

12 - 24V DC DUO Receiver



PRODUCT FEATURES

- ▶ 12 - 24V DC DUO receiver as receiver for Push Power switch
- ▶ Ready to plug in for connection of SIRO DUO2POL LED lights (2-wire connection)
- ▶ Up to 10 push-buttons (2- or 4-way switches) or switch components can be connected.
- ▶ Radio-based range up to 80 meters.
- ▶ Functions: ON - OFF - DIMMING - setting the COLOR TEMPERATURE
- ▶ Product has a memory function (last light setting)

ASSEMBLY

- ▶ The product can be stuck on or placed individually

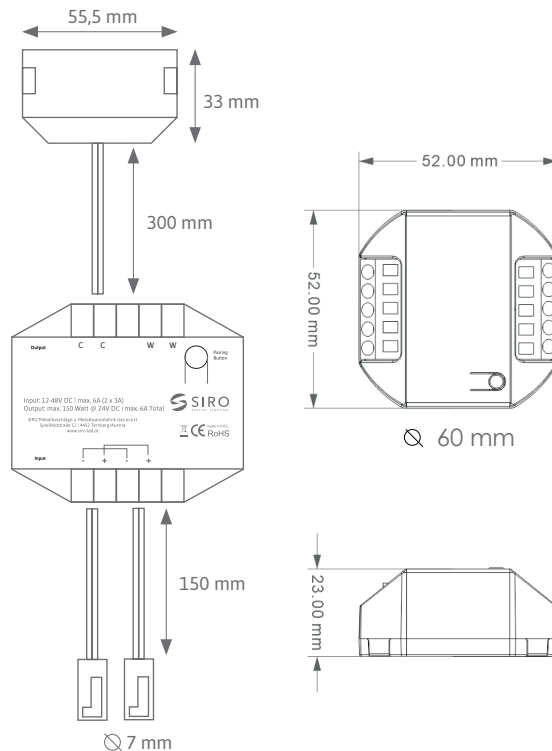
DIMENSIONS

- ▶ Housing dimensions (LxDxH): 52 x 52 x 23 mm
- ▶ Distributor box dimensions (LxWxH): 55,5 x 33 x 10 mm

TECHNICAL DATA

- ▶ Transmission protocol: RF 433 mhz
- ▶ Range (without mesh): 30 meters (indoors)
- ▶ IP rating: IP20
- ▶ Input: 12 - 24V DC
 - 2 x 150 mm connection cable (AWG 20) with SIRO MONO plug (each plug 3A = max 72 Watt @24V DC)
- ▶ Output power: 144 watts @ 24V DC
 - 1 x 150 mm connection cable (2 x 0.75 mm²) with 6-way distribution box
 - 3A per connection = 72 watts @ 24V DC
 - 6A total = 144 watts @ 24V DC
- ▶ Standby power: ≤ 1W
- ▶ Receiver sensitivity: -110dBm
- ▶ Dimming method: PWM 1000 Hz
- ▶ Operating temperature: 0°C to 55°C

TECHNICAL DRAWING



SAFETY AND INSTALLATION INSTRUCTIONS

- ▶ This product is not a toy and is not suitable for children!
- ▶ The SIRO LED system is only suitable for indoor use.
- ▶ Unprotected outdoor use is not permitted.
- ▶ Contact with moisture must be avoided at all costs!