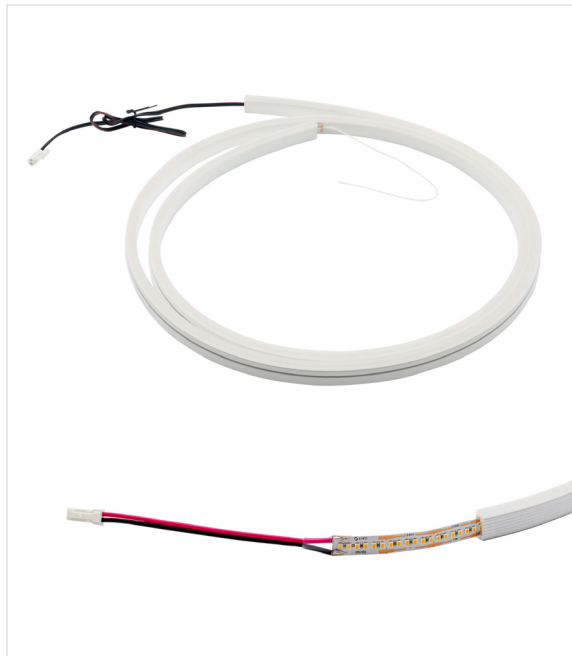


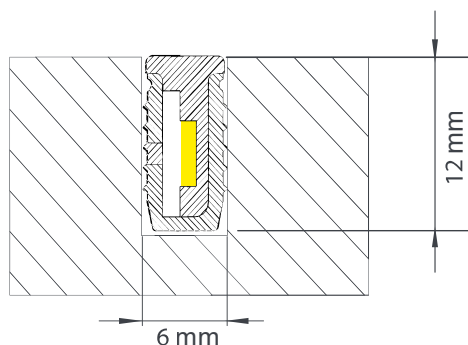
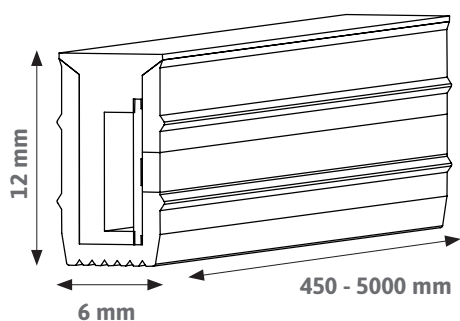
SL-FLEX-DP10W30-*

Flexline 6x12 mm with 10 Watt MONO Diamond Pro LED Stripe 3000K

*e.g. in 1200 mm = Art.Nr. SL-FLEX-DP10W30-1200



TECHNICAL DRAWING



Groove guideline values:

Width: 5.9 to 6.1 mm, Depth: 11.9 to 12.1 mm

Due to the complex manufacturing process of extruded silicone products, we recommend a test cut before processing to determine the optimal cutting width/depth.

PRODUCT FEATURES

- » Silicone profile 6 x 12 mm with SIRO MONO DIAMOND PRO LED 10 Watt/m
- » The product contains an energy class E light source
- » Product can be cut anywhere (FreeCut)
- » controllable and dimmable with SIRO MONO receiver
- » Product is ready to plug in
- » 1 x 500 mm soldered connection cable with SIRO-MONO connector
- » Protection class IP 20 (can be sealed to IP 67 with silicone at both ends)
- » Suitable for installation in furniture carcasses, min. bending radius 6 mm
- » The specified lengths refer to the silicone profile!
- » Maximum recommended length for single-sided power feed: 5 m
- » A test groove is recommended before processing!

TECHNICAL DATA

- » Voltage: 24V DC
- » Consumption:..... 10 Watt/m
- » Nominal luminous flux in profile:..... 360 Lumen/m
- » Beam angle (unfocused light):..... 180°
- » Light colour:..... 3000K (warm white)
- » CRI:..... 95
- » LED per meter:..... 300
- » LED-Typ: SMD Chip
- » IP Rating:..... IP20 | 67

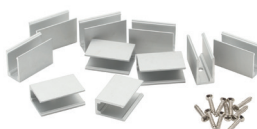
Dimensions of silicone profile

- » Length: 450 - 5000 mm
- » Width:..... 6 mm
- » Height:..... 12 mm

AVAILABLE LENGTHS

- » SL-FLEX-DP10W30-450:.....450 mm
- » SL-FLEX-DP10W30-600:.....600 mm
- » SL-FLEX-DP10W30-900:.....900 mm
- » SL-FLEX-DP10W30-1200:.....1200 mm
- » SL-FLEX-DP10W30-1500:.....1500 mm
- » SL-FLEX-DP10W30-2000:.....2000 mm
- » SL-FLEX-DP10W30-2500:.....2500 mm
- » SL-FLEX-DP10W30-3000:.....3000 mm
- » SL-FLEX-DP10W30-5000:.....5000 mm

OPTIONAL ACCESSORIES



10 pieces
mounting clips
SL-FLEX-KL1206-SET1

Product Information



Darf nicht in den Hausmüll entsorgt werden.
Must not be disposed of in household waste.

SIRO Beschläge- und
Metallwarenfabrik Ges.m.b.H.
Spiefeldstraße 12
4452 Ternberg, Austria

Tel . +43 (0)7256.6020.0
Fax . +43 (0)7256.8932
E-Mail office@siro.at
Web . www.siro.at

© 2026 Alle Rechte
vorbehalten.
All rights reserved
Version 04/26