

SL-KL22J-V20

Mounting Clips for Aluminium Profile



PRODUCT FEATURES

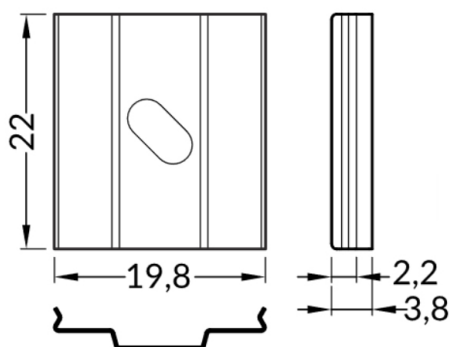
- » Mounting brackets for aluminium profile SL-AJ-2000ALROH-V10
- » including mounting screws

CLAMP DIMENSIONS

- » Height: 3,8 mm
- » Width: 19,8 mm
- » Length: 22,0 mm

PRODUCT DETAILS

- » Number of staples per package: 20 Stk.



ASSEMBLY INSTRUCTION

