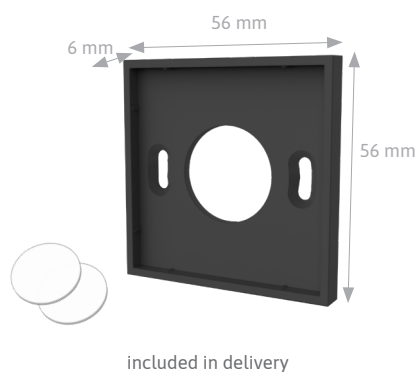


SL-SZ4MONO

Controller for SIRO REC02MONO Receiver



PRODUCT PROPERTIES

- » 4 area controller for SIRO MONO LED products
pro area the you need one SL-REC02MONO receiver
- » dim function (10 - 100%)
- » battery powered type CR 3032
- » can be combined with SIRO sensory products
- » assembled by screws or glue pads
(glue pads are included in delivery)

TECNICAL SPECIFICATIONS



battery power CR 3032



CONNECTION OVERVIEW

