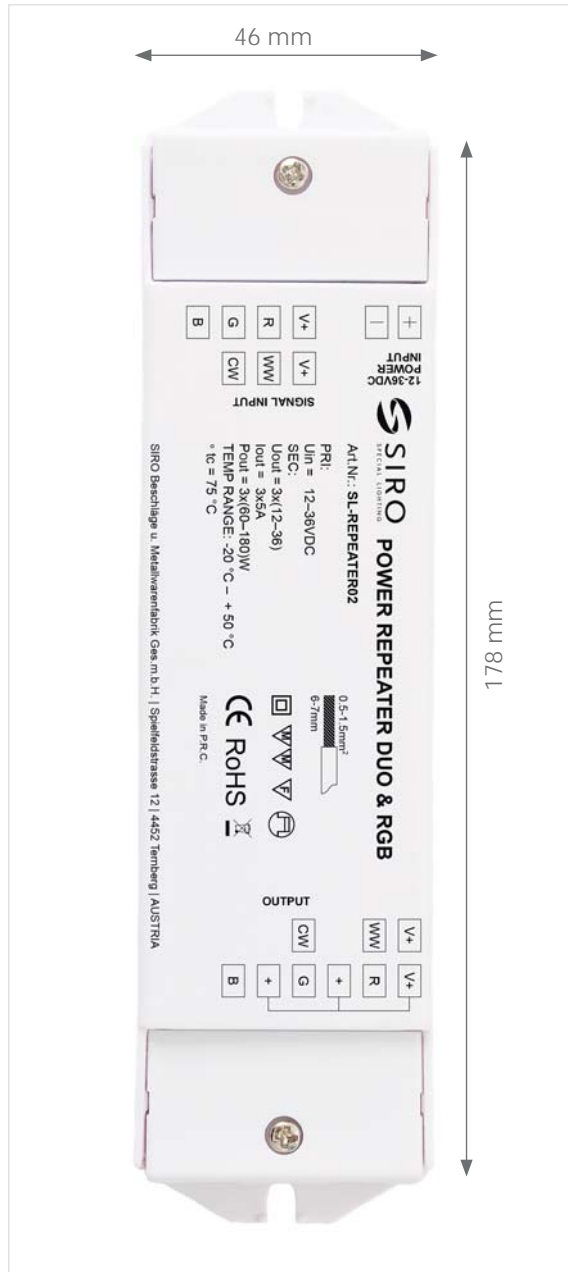


**SL-REPEATER02**  
DUO/RGB Repeater



**PRODUCT PROPERTIES**

- » simple handling and installation
- » simple retrofit
- » works with DUO and RGB solutions
- » allows grouping of luminaries
- » long lifespan

**TECNICAL SPECIFICATIONS**

- » input voltage receiver: ..... 12V DC - 36V DC
- » max. current: ..... 5A per channel (DUO, RGB)
- » power DUO: ..... max. 120W at 12V  
240W at 24V
- » power RGB: ..... max. 180W at 12V  
360W at 24V
- » operating temperature: ..... -20 - +50°
- » storage temperature: ..... -20 - +70°

**DIMENSIONS**

- » length: ..... 178 mm
- » width: ..... 46 mm
- » height: ..... 20 mm
- » weight: ..... 105 g

## SL-REPEATER02 DUO/RGB Repeater

Thank you for choosing one of our products - we are convinced that you will have a lot of fun with it!

Please read these instructions carefully!

The product is not a toy and is not suitable for children. Keep the packaging material away from children - there is a risk of suffocation from small parts!

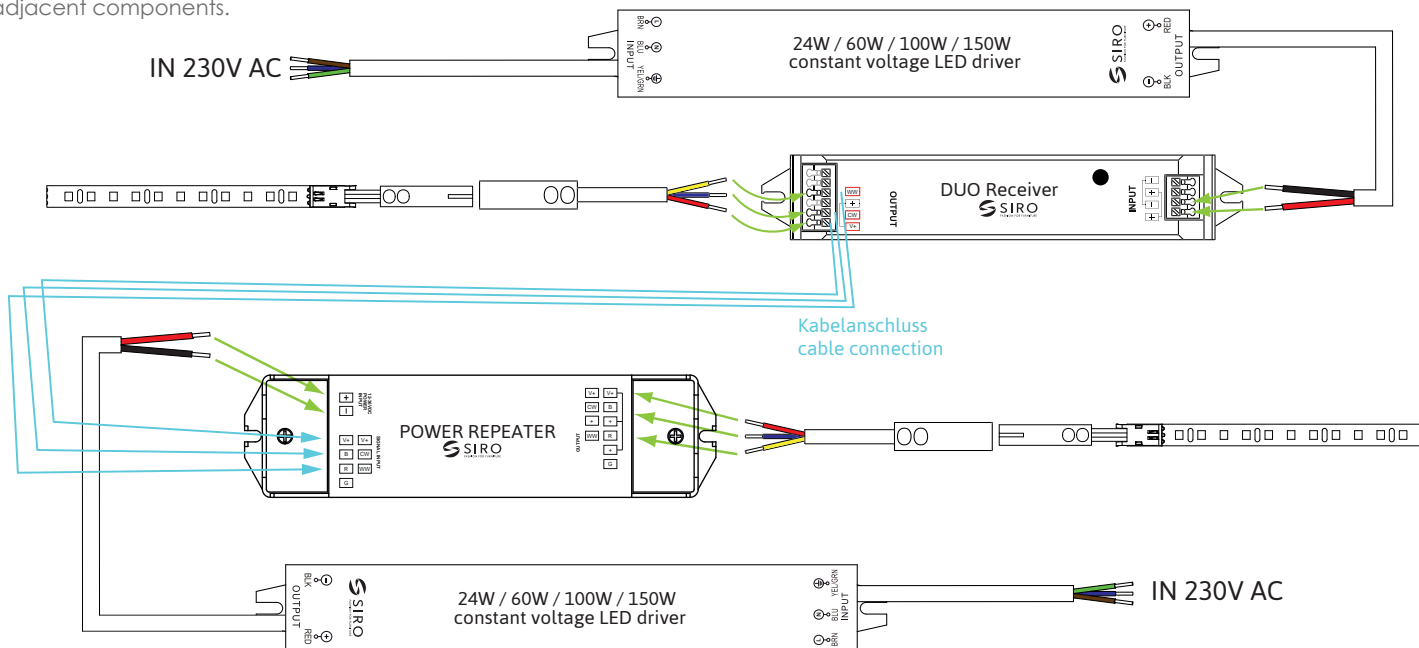
Do not operate the product unattended.

Before using the product for the first time, please check that there is no obvious transport damage! If the power supply unit, LED strip or other LED components are damaged, they must no longer be used!

This article is connected to 24 V. The maximum output is 216W. Installation may therefore only be carried out by qualified personnel (electricians, qualified electricians, etc.) !

### Important Notice

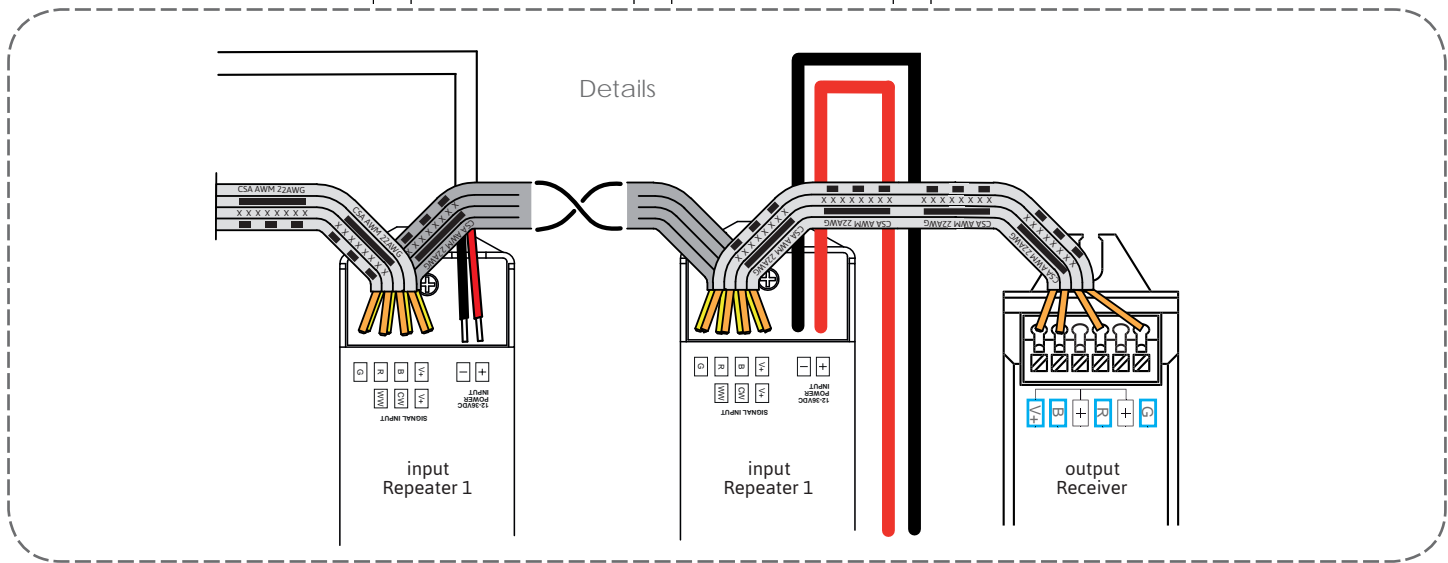
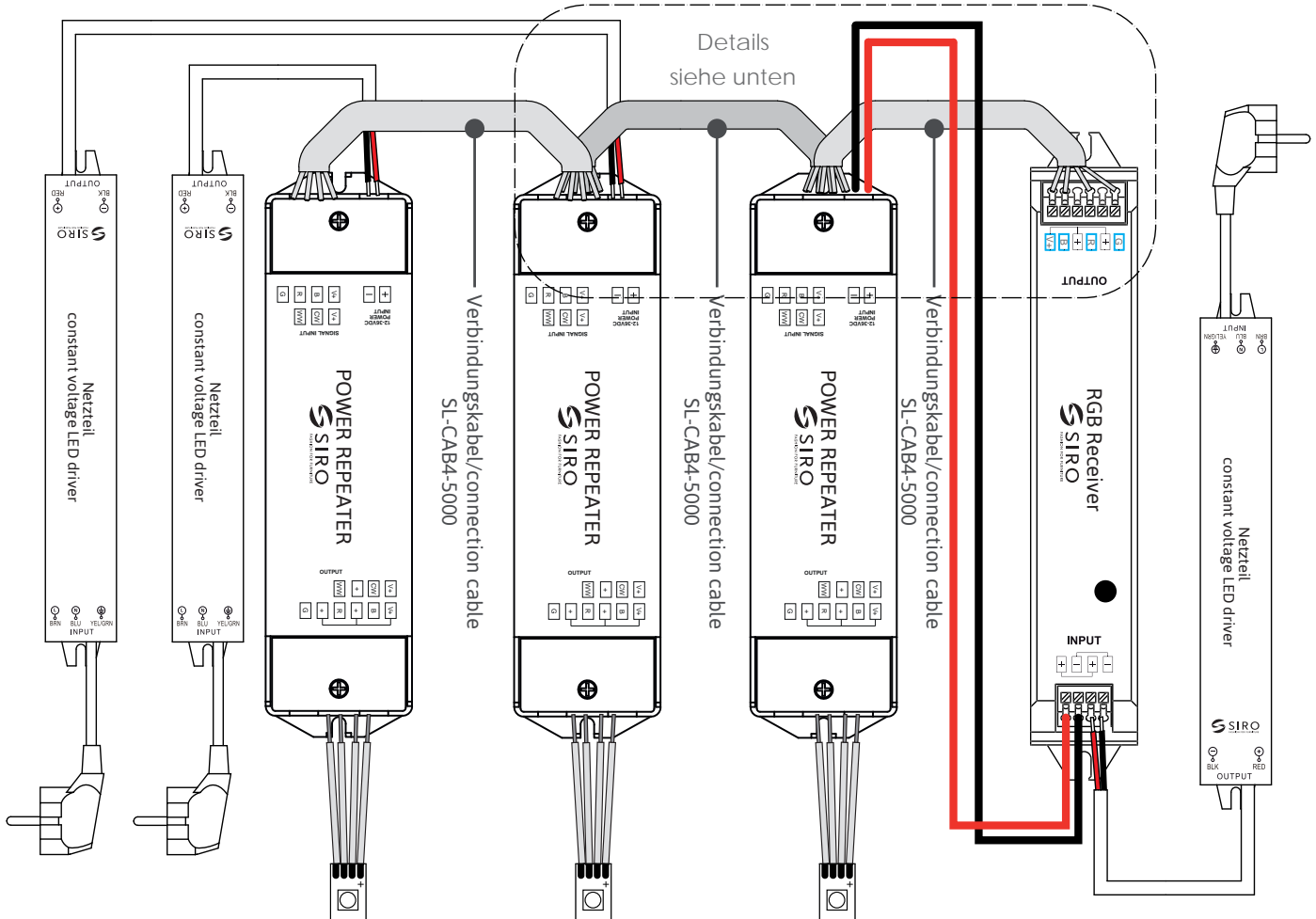
- Installation may only be carried out when the device is de-energized!
  - Please take precautions against electrostatic discharge during installation.
  - For safety and approval reasons, unauthorized conversion and/or modification of the products is not permitted. Any use other than that described is not permitted and may result in damage to the receiver. Furthermore, this is associated with dangers such as short circuit, fire, electric shock, etc.
  - It is prohibited to modify the mechanical or electrical structure of the products.
  - Ensure that the installation and connection cables are not damaged during installation.
- The products must not be exposed to strong mechanical pressure, extreme temperatures or strong vibrations!
- Never touch the products with wet or damp hands. There is a risk of life-threatening electric shock.
  - In commercial facilities, the accident prevention regulations of the German Federation of Industrial Employers' Liability Insurance Associations for electrical systems and equipment must be observed.
  - Operation under adverse ambient conditions is not permitted. Adverse ambient conditions are Dust and flammable gases, vapors or solvents.
  - The products heat up during operation. The housings must not be covered; ensure adequate ventilation and the minimum distances to adjacent components.



Bei Schäden, die durch Nichtbeachtung der Anleitung verursacht werden, erlischt der Garantanspruch.  
Für Folgeschäden die daraus resultieren übernehmen wir keine Haftung!

SL-REPEATER02  
DUO/RGB Repeater

Montageanleitung RGB Repeater



Damage caused by non-compliance with the instructions will invalidate the warranty. We accept no liability for consequential damage resulting from this!



Darf nicht in den Hausmüll entsorgt werden.

SIRO Beschläge- und  
Metallwarenfabrik  
Spiefeldstraße 12  
4452 Ternberg, Austria

Tel . +43 (0)7256.6020.0  
Fax . +43 (0)7256.8932  
E-Mail office@siro.at  
Web . www.siro.at

© 2015 Alle Rechte  
vorbehalten.