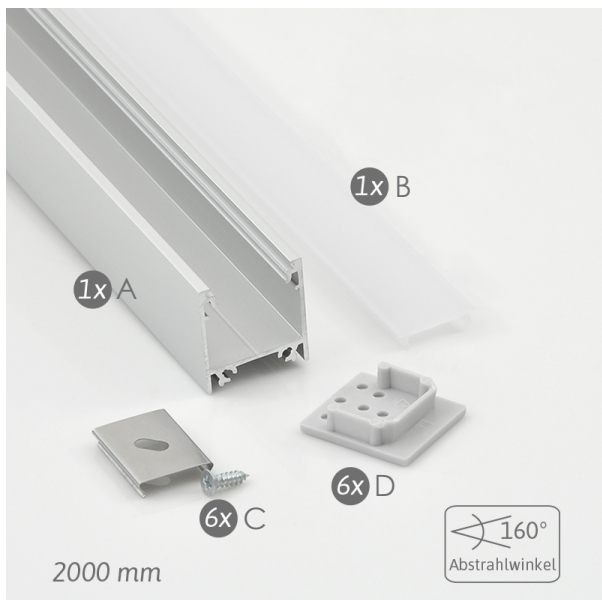


SL-PROF-AMBI-001

Aluminum Profile Set for LED Stripes



PRODUCT PROPERTIES

- » sturdy aluminum profile
- » up to 3 complete systems fabricable
- » convenient assembly by the use of clips
- » maximum LED stripe width: 20 mm
- » dotless light with opaline hard cover
- » can be used as a heatsink without the cover

PRODUCT DETAILS

- » number of sets per packaging: 9 pcs.
- » one set includes:
- » A: aluminum profile AMBI 1 pc.
- » B: opaline hard cover 1 pc.
- » C: assembly clip & M3x7 screw 6 pcs.
- » D: profile end cap 6 pcs.

PROFILE DIMENSIONS

- » height:..... 25 mm
- » width: 23 mm
- » length:..... 2000 mm

HARD COVER DIMENSIONS

- » height:..... 5 mm
- » width: 18 mm
- » length:..... 2000 mm

ASSEMBLY CLIP DIMENSIONS

- » height:..... 4 mm
- » width: 19 mm
- » length:..... 16 mm

END CAP DIMENSIONS

- » height:..... 25 mm
- » width: 23 mm
- » length:..... 7 mm

