

SL-PIR35-K1 // SL-PIR35-K60

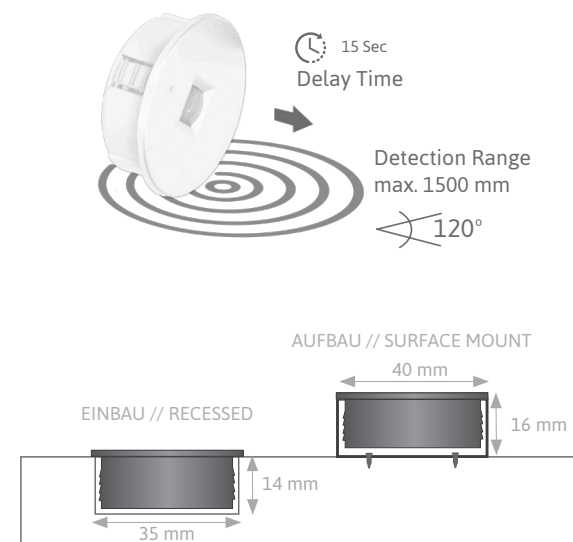
Control for SIRO REC02 Receiver



PRODUCT SPECIFICATIONS

- » SL-PIR35 controls coupled receivers by motion in the detection zone
- » Control of SIRO MONO and DUO REC02 RECEIVER (SL-REC02MONO // SL-REC02DUO)
- » Small, compact design, ideal for furniture applications
- » Can be milled in or used as a mounting variant with mounting ring
- » Quick and easy installation
- » Radio range up to 10 meters
- » Battery operated TYPE CR 3032
- » incl. mounting ring // mounting screws // pin needle

PRODUCT DIMENSIONS



CONNECTION OVERVIEW

