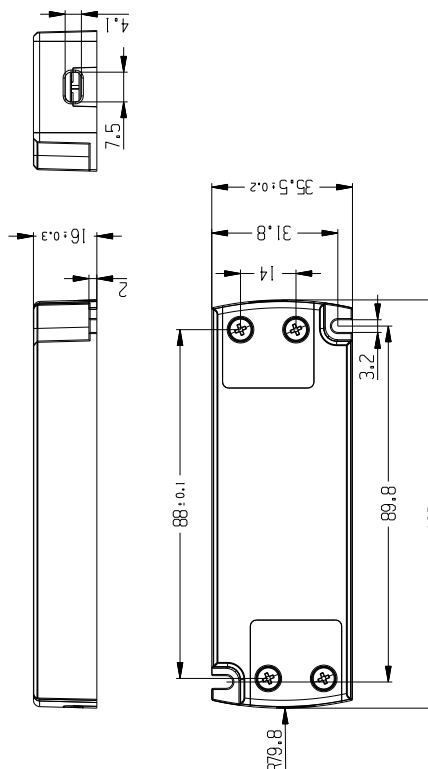


SL-NT24CV20W-DB1
Power supply 20 Watt



PRODUCT FEATURES

- „Power supply 20 Watt incl. 2 m connection cable
- „ low stand-by consumption < 0,5 W
- „Short circuit protection
- „Over load protection
- „ 6 compartment distribution box for connection of 24V DC MONO Led

TECHNICAL DATA

- » Light type:..... LED
- » Input voltage:..... 220 - 240 VAC
- » Output voltage: 24V DC
- » Output current: 0,833 A
- » Power: 20 Watt
(10% reserve recommended)
- » Efficiency: > 85 %
- » Standby P: 0,14 W
- » No-load power P_{no}: 0,18 W
- » Networked standby power P_{net}:..... 0,18 W
- » Protection class:..... IP20
- » Power frequency input: 50Hz bis 60Hz
- » Housing color: white
- » Ambient temperature:..... -20° - +45° C
- » Safety: Short circuit protection, overload protection

DIMENSIONS & WEIGHT

- » Length:..... 103,0 mm
- » Width:..... 35,5 mm
- » Height:..... 16,0 mm
- » Weight in G:..... 130,0 g