

SL-NBSPIR12-K1

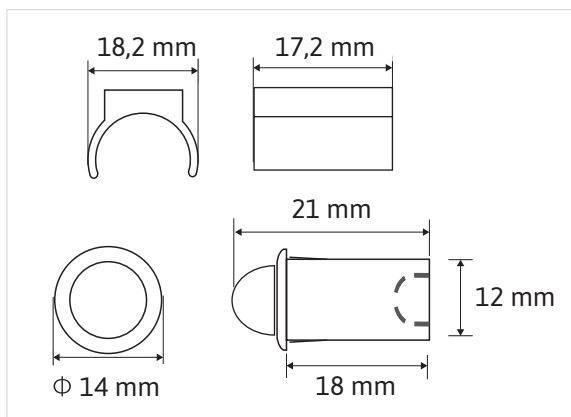
PIR Sensor for SIRO Power Supply



PRODUCT FEATURES

- » Wired PIR sensor for connection to SIRO 24V DC power supply units:
 - SL-NTS24CV36W-CA
 - SL-NTS24CV60W-CA
 - SL-NTS24CV100W-CA
- » Sensor can be screwed on or milled in
- » Switches light ON - OFF
- » Response range: 0 - 2 m (120° Detection Area)
- » Delay Time: 30 seconds
- » 2000 mm connection cable included

TECHNICAL DRAWING



TECHNICAL DATA

- » Input voltage:..... 12 - 24V DC
- » Output voltage: 24V DC

Sensor + Housing dimensions:

- » Length: 18,2 mm
- » Width: 18,2 mm
- » Height: 14 mm

Installation dimensions:

- » Milling diameter: 12 mm
- » Milling depth:..... 18 mm

