

## SL-FL34BS-10000

FLIPLens Black Series Optical Silicone Cover

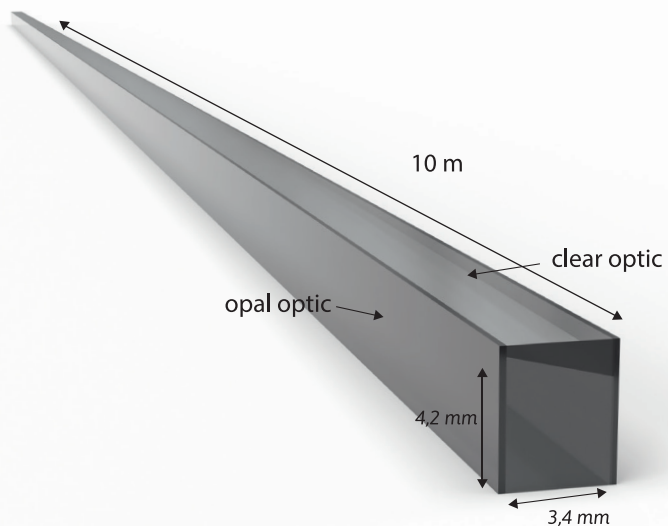


### PRODUCT FEATURES

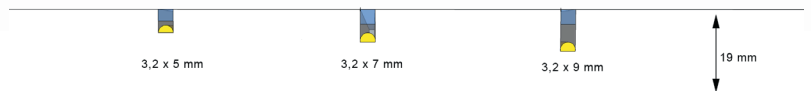
- » " Optical silicone cover with clear and opal light refraction
- » " Clear optics to be processed with 3.2 mm wide saw blade
- » " Opal optic to be processed with 3,8 - 4 mm cutting or milling width.
- » " Different beam angles due to different cutting depths
- » " FLIPLens enables a sealing function of the cutting edge
- » " Can be used in combination with 3 mm wide LED COB strips
- » " Desired length can be cut by means of scissors or knife.
- » " Packaging unit: 1 piece

### DIMENSIONS

- » Length:..... 10.000 mm
- » Width „Clear“: ..... 3,4 mm
- » Width „Black Opal“: ..... 4,2 mm



### Milling and Beamangle



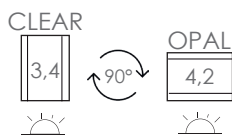
	CLEAR	OPAL
» 3,2 x 5 mm:.....	~ 65°	~160°
» 3,2 x 7 mm:.....	~ 45°	~160°
» 3,2 x 9 mm:.....	~ 25°	~160°

### TRANSLUMENCY

- » Silicone Side „Clear“:..... 99%
- » Silicone Side „Dark Opal“: ..... 75%

### Safty Instructions

- » "This product is not a toy and is not suitable for children!
- » "The assembly must be carried out free of tension!



**Processing of FLIPLens with 3mm wide SIRO COB tape. A TRIAL CUT is recommended before final processing!**

### PRODUCT INFORMATION



siro-led.at

**RoHS CE**

Darf nicht in den Hausmüll entsorgt werden.  
Must not be disposed of in household waste.

SIRO Beschläge- und  
Metallwarenfabrik  
Spiefeldstraße 12  
4452 Ternberg, Austria

Tel . +43 (0)7256.6020.0  
Fax . +43 (0)7256.8932  
E-Mail office@siro.at  
Web . www.siro.at

© 2021 All rights reserved.