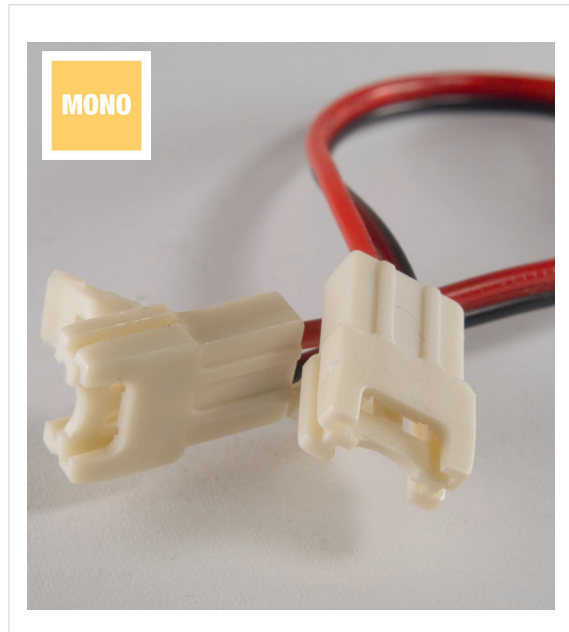


**SL-CAB2-SC60S**  
connection cable



**PRODUCT PROPERTIES**

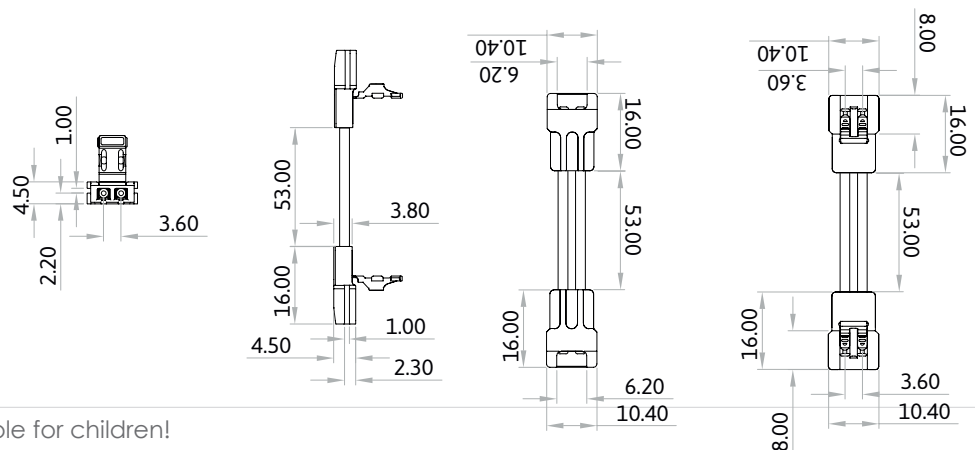
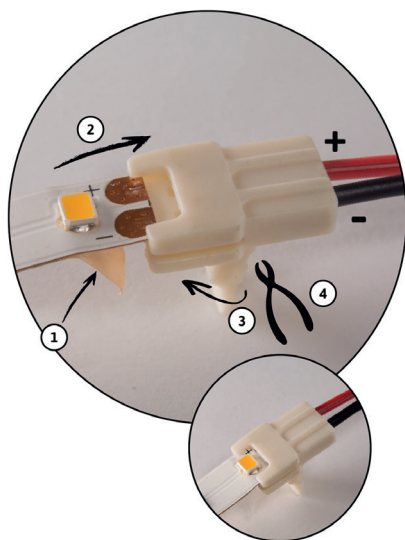
- » MONO connection cable with plugs
- » 2-wire cable (black / red) with 60 mm length
- » solder-less connection
- » UL94V-0 badly flammable material
- » **suitable for 8 mm wide MONO LED stripes**
- » round 22 AWG
- » connection to LED stripes through simple clasp system
- » packaging unit: 1 pcs

**DIMENSIONS**

- » cable length:..... 60 mm
- » pin distance:..... 3,6 mm
- » LED stripe width:..... 8 mm
- » LED stripe thickness:..... 0.2~0.4 mm

**TECNICAL SPECIFICATIONS**

- » nominal current:..... 6 A
- » AWG:..... 20-22 AWG
- » IP:..... 20
- » operating temperature:..... -35° - +60° C
- » storage temperature:..... -35° - +80° C



**SAFETY- AND ASSEMBLYHINTS**

- » this product is not a toy and not suitable for children!
- » the assembly has to be done without an electric current!
- » the LED products have quite fragile, electric components which shouldn't be put under mechanical stress.
- » mount the LED stripes onto immovable components, which are free from tensions.
- » try to avoid mechanical stresses like folding, bending or scrubbing.
- » the SIRO LED system has to be used indoors. Unprotected use outdoors is not permitted. The contact with moisture/fluids has to be avoided at all costs!