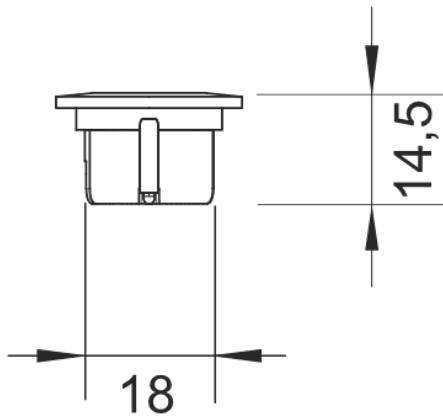


SL-SPOT07-NW2W-PB12



Technical drawing



Type of light source:

Lighting technology used:
LED

Non-directional or directional:
DLS

Mains or non-mains:
NMLS

Connected light source (CLS):
no

Colour-tuneable light source:
no

Envelope:
no

High luminance light source:
no

Anti-glare shield:
no

Dimmable:
yes

Product parameters:

Energy consumption in on-mode (kWh/1 000 h):
1,5

Energy efficiency class:
F

Useful luminous flux:
100 lumen (Narrow Cone (90°))

Correlated colour temperature:
4000K

On-mode power (P_{on}) in W:
1,5

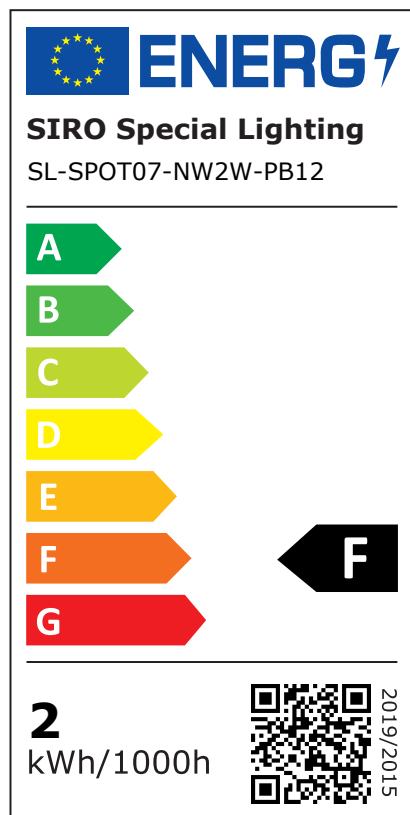
Standby power (P_{sb}) in W:
0

Networked standby power (P_{net}) for CLS in W:
0

Colour rendering index:
90

Outer dimensions (length | width | height):
22 mm | 0 mm | 14,5 mm

Energy Label



Installation diameter:
18 mm

Installation depth:
13,5 mm

Connection cable:
2000 mm

IP protection class:
IP44(front), IP20

Division every mm:
-

Number of LEDs per metre:
-

Operating temperature:
-

Storage temperature:
-

Net weight:
33 g

EAN Code:
9002843428967

Claim of equivalent power:
no

If yes, equivalent power (W):
-

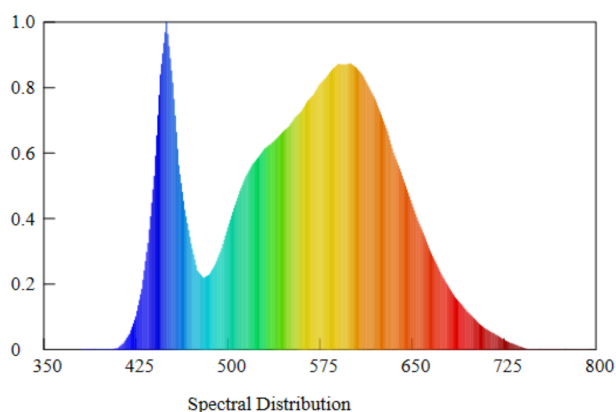
Chromaticity coordinates (x | y):
0,38 | 0,369

Parameters for directional light sources:

Peak luminous intensity (cd):
100

Beam angle:
31 °

Spectral power distribution:



Parameters for LED and OLED light sources:

R9 colour rendering index value:

10

Survival factor:

1

lumen maintenance factor:

0,96

L70B50-Lifespan:

30000 h

Parameters for LED and OLED mains light sources:

displacement factor (cos ϕ):

-

Colour consistency in McAdam ellipses:

-

LED replaces fluorescent light source:

no

If yes then replacement claim (W):

-

Flicker metric (Pst LM):

-

Stroboscopic effect metric (SVM):

-

Safety and installation instructions:

- >> This product is not a toy and is not suitable for children!
- >> The assembly must be carried out free of voltage!
- >> Do not mount the LED strips / plugs / cables on moving parts, free from tensile and torsional forces. Avoid mechanical stresses such as kinking, bending or chafing!
- >> The SIRO LED system is only suitable for indoor use. Unprotected use outdoors is not permitted. Contact with moisture must be avoided at all costs!

