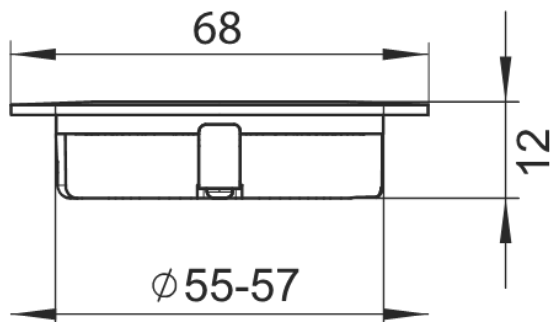


## SL-SPOT06-DUO3W-ZN1



### Technical drawing



#### Type of light source:

Lighting technology used:  
LED

Non-directional or directional:  
NDLS

Mains or non-mains:  
NMLS

Connected light source (CLS):  
no

Colour-tuneable light source:  
no

Envelope:  
no

High luminance light source:  
no

Anti-glare shield:  
no

Dimmable:  
yes

#### Product parameters:

Energy consumption in on-mode (kWh/1 000 h):  
2,5

Energy efficiency class:  
G

Useful luminous flux:  
190 lumen ( Sphere (360°) )

Correlated colour temperature:  
2700K-6000K

On-mode power (P<sub>on</sub>) in W:  
2,5

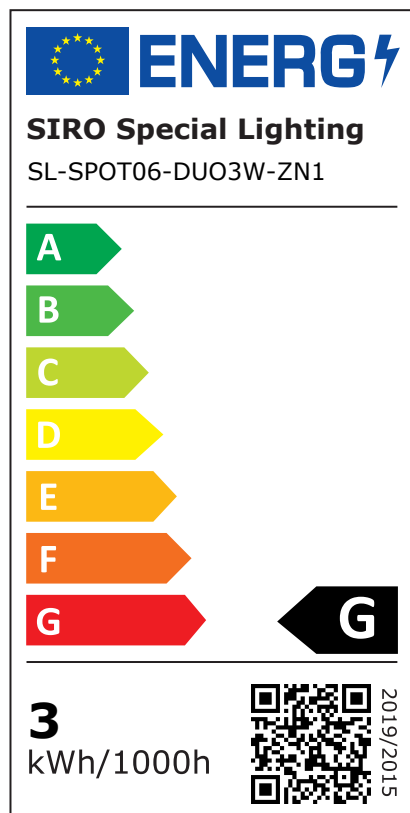
Standby power (P<sub>sb</sub>) in W:  
0

Networked standby power (P<sub>net</sub>) for CLS in W:  
0

Colour rendering index:  
85

Outer dimensions (length | width | height):  
68 mm | 68 mm | 12 mm

## Energy Label



Installation diameter:  
55.0 mm

Installation depth:  
12.0 mm

Connection cable:  
2000 mm

IP protection class:  
ip44ip20

Division every mm:  
-

External heat sink required:  
no

Number of LEDs per metre:  
-

Operating temperature:  
-

Storage temperature:  
-

Net weight:  
53 g

EAN Code:  
9002843424037

Claim of equivalent power:  
no

If yes, equivalent power (W):  
-

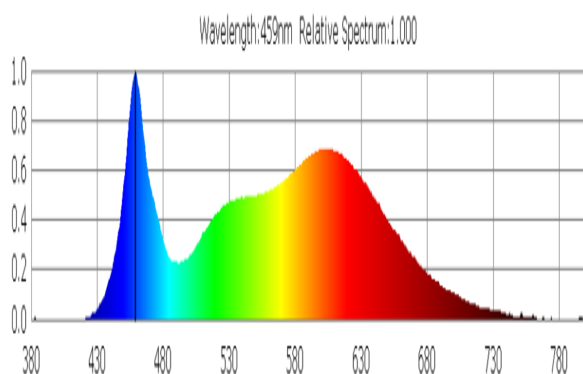
Chromaticity coordinates (x | y):  
0,374 | 0,354

### Parameters for directional light sources:

Peak luminous intensity (cd):  
-

Beam angle:  
110 °

## Spectral power distribution:



**Parameters for LED and OLED light sources:**

*R9 colour rendering index value:*  
50

*Survival factor:*  
1

*lumen maintenance factor:*  
0,94

*L70B50-Lifespan:*  
30000 h

**Parameters for LED and OLED mains light sources:**

*displacement factor (cos  $\phi$ ):*  
-

*Colour consistency in McAdam ellipses:*  
-

*LED replaces fluorescent light source:*  
no

*If yes then replacement claim (W):*  
-

*Flicker metric (Pst LM):*  
-

*Stroboscopic effect metric (SVM):*  
-

**Safety and installation instructions:**

- >> This product is not a toy and is not suitable for children!
- >> The assembly must be carried out free of voltage!
- >> Do not mount the LED strips / plugs / cables on moving parts, free from tensile and torsional forces. Avoid mechanical stresses such as kinking, bending or chafing!
- >> The SIRO LED system is only suitable for indoor use. Unprotected use outdoors is not permitted. Contact with moisture must be avoided at all costs!

